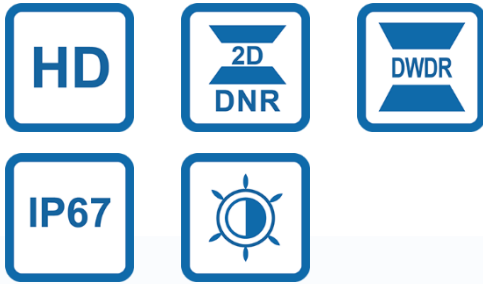


JF-AHC-EQ2340-IR2

4MP Lite Series AHD EQ Camera



Features

- ◆ 1/3" 4Mp CMOS
- ◆ HD lens: 3.6mm(6mm optional)
- ◆ 2D Digital Noise Reduction
- ◆ Day/Night: IR-CUT
- ◆ 20m-30m IR Distance
- ◆ AHD Video Output
- ◆ IP67 Protection

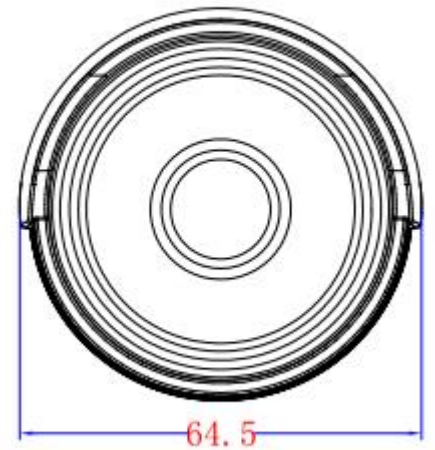
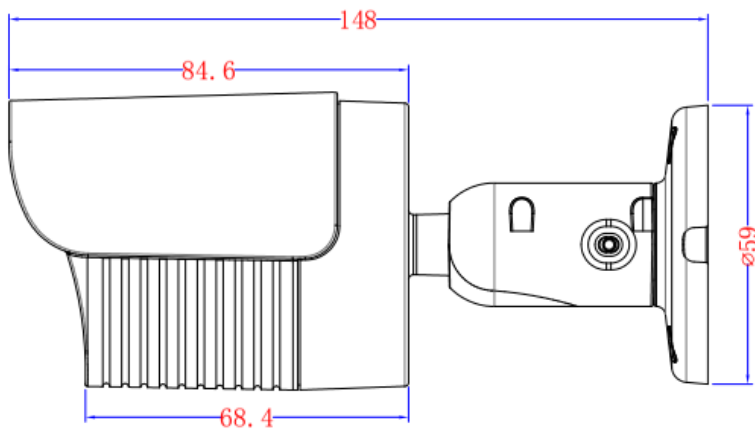
Specification

Camera	
Model	JF-AHC-EQ2340-IR2
Image Sensor	1/3" 4Mp CMOS
Min.Illumination	0.01Lux @F1.2 (Color)
	0.001 Lux @ F1.2 (B&W)
Frame Rate	50Hz:4M@25fps
	60Hz:4M@30fps
Lens	3.6mm(6mm optional)
Day/Night	IR-CUT
Max.IR Distance	30m
OSD Menu	UTC Control
WDR	DWDR
Noise Reduction	2D
Interface	
Video Output	AHD Switchable
Audio In	-
Alarm In/Out	-
General	
Ingression Protection	IP67
Working Temperature	-20°~65°
material	Metal
Power	DC12V±10%

JF-AHC-EQ2340-IR2

4MP Lite Series AHD EQ Camera

Dimensions



Accessories (optional)

JF TECH Co.,Ltd.
Headquarters(Hangzhou):
Building 9, Yinhu Innovation Center, Hangzhou, China
Business Center(Shenzhen):
A 7th Floor, Block Sakata 5 Avenue and Chong Hing Times Tower Shenzhen
All Rights Reserved • Specifications subject to change without notice.

Website:<http://www.jftech.com>
Tel:+86-0571-23271188

Tel:+86-0755-32898088